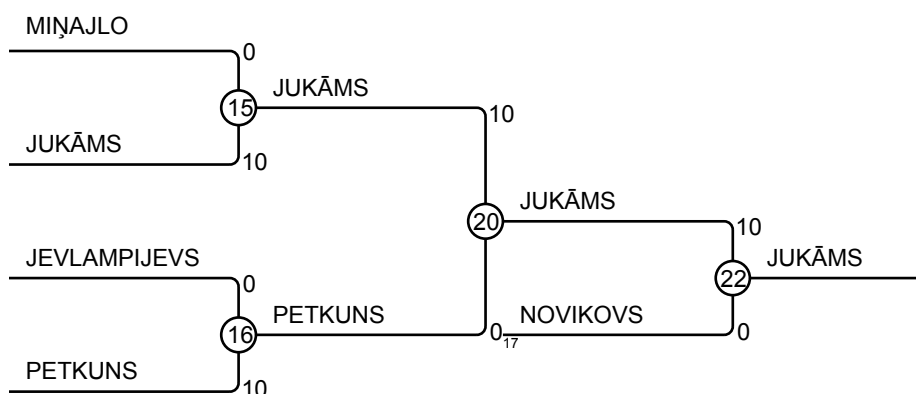
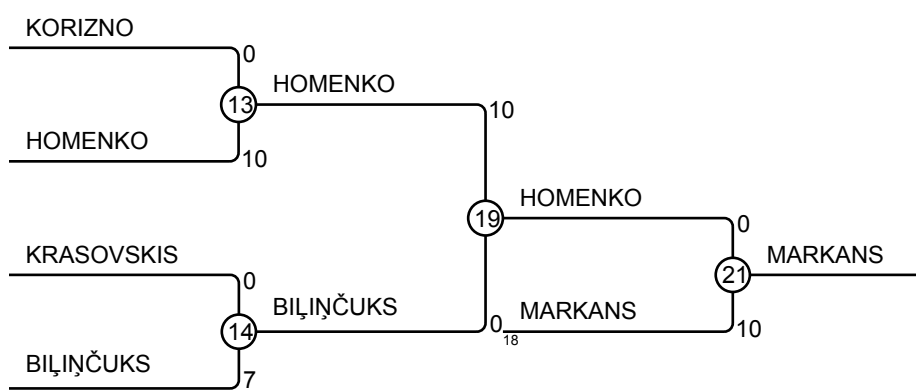
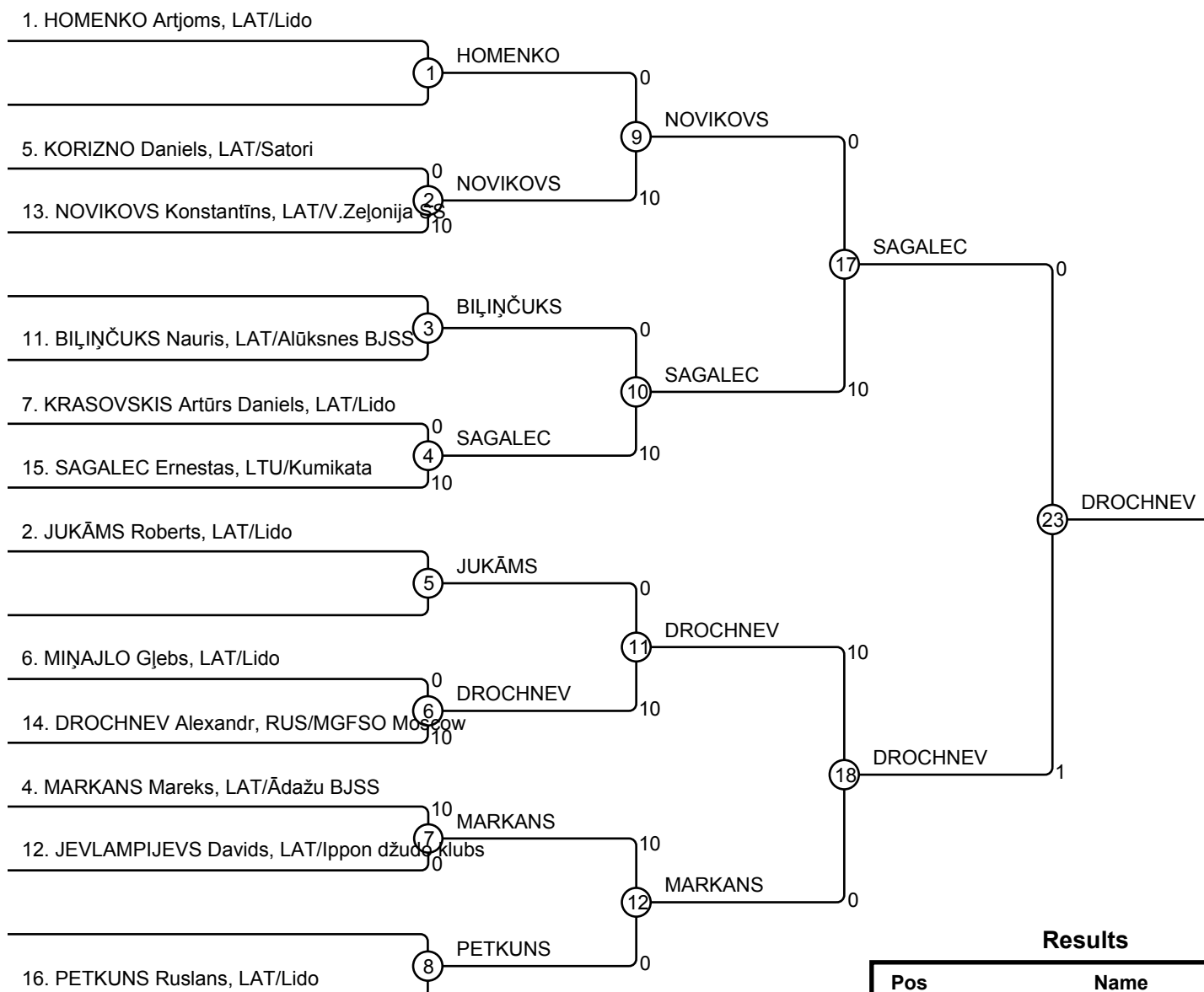


KYODAI 2015 16-MAI Rīga U16 B -60 kg

Competitors: 12



Results

Pos	Name
1	DROCHNEV Alexandr, RUS/MGFSO Moscow
2	SAGALEC Ernestas, LTU/Kumikata
3	MARKANS Mareks, LAT/Ādažu BJSS
3	JUKĀMS Roberts, LAT/Lido
5	HOMENKO Artjoms, LAT/Lido
5	NOVIKOVS Konstantīns, LAT/V.Zeļonija SS
7	BIĻIŅČUKS Nauris, LAT/Aiūksnes BJSS
7	PETKUNS Ruslans, LAT/Lido