

# KYODAI 2017 6-MAI Rīga U14 z -66 kg

Competitors: 6

## Competitors A

| # | Name                       | Club                         | 1  | 2 | 3  | Wins | Pts | Pos |
|---|----------------------------|------------------------------|----|---|----|------|-----|-----|
| 1 | Ilman NESIRKOYEV           | BEL/INTERNATIONAL BELGIUM JC | 10 |   |    | 2    | 20  | 1   |
| 2 | Dawid PEKACKI              | POL/Lemur Judo Club          |    |   | 10 | 1    | 10  | 2   |
| 3 | Roberts STARČAKS JANKAUSKS | LAT/Liepājas KSS             |    |   |    | 0    | 0   | 3   |

## Matches A

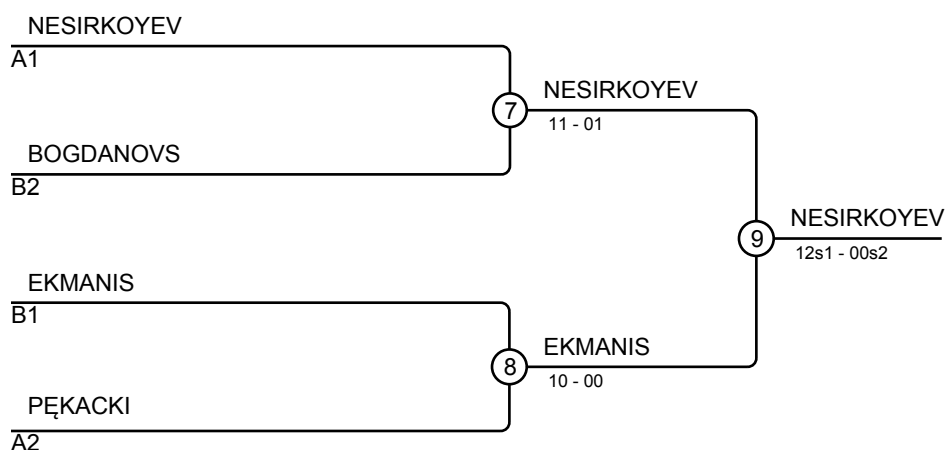
| Match | White            | Blue                       | Result    | Time |
|-------|------------------|----------------------------|-----------|------|
| 1     | Ilman NESIRKOYEV | Dawid PEKACKI              | 10s1-00s1 | 1:04 |
| 3     | Ilman NESIRKOYEV | Roberts STARČAKS JANKAUSKS | 10-00     | 0:24 |
| 5     | Dawid PEKACKI    | Roberts STARČAKS JANKAUSKS | 11-00s1   | 1:59 |

## Competitors B

| # | Name                 | Club           | 4  | 5 | 6  | Wins | Pts | Pos |
|---|----------------------|----------------|----|---|----|------|-----|-----|
| 4 | Andrejs BOGDANOVS    | LAT/Lido       |    |   | 10 | 1    | 10  | 2   |
| 5 | Hugo Gustavs EKMANIS | LAT/Ādažu BJSS | 10 |   | 1  | 2    | 11  | 1   |
| 6 | MAKSIM BULGA KOV     | RUS/Koenig JC  |    |   |    | 0    | 0   | 3   |

## Matches B

| Match | White                | Blue                 | Result  | Time |
|-------|----------------------|----------------------|---------|------|
| 2     | Andrejs BOGDANOVS    | Hugo Gustavs EKMANIS | 00-13   | 3:00 |
| 4     | Andrejs BOGDANOVS    | MAKSIM BULGA KOV     | 10-00s1 | 0:29 |
| 6     | Hugo Gustavs EKMANIS | MAKSIM BULGA KOV     | 01s2-00 | 5:09 |



## Results

| Pos | Name   |
|-----|--|
| 1   | Ilman NESIRKOYEV, BEL/INTERNATIONAL BELGIUM JC |
| 2   | Hugo Gustavs EKMANIS, LAT/Ādažu BJSS           |
| 3   | Andrejs BOGDANOVS, LAT/Lido                    |
| 3   | Dawid PEKACKI, POL/Lemur Judo Club             |